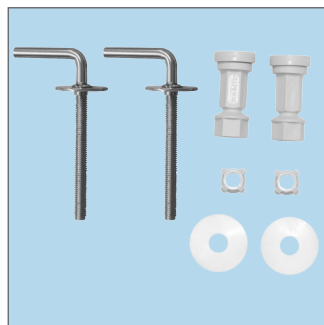


The Imola STA-TITE® is designed for universal pans and features stainless steel hinges which provide superior strength. Made from Durolux® thermoset plastic, this seat is long-lasting and offers a ceramic-like shine. This seat features STA-TITE®: the patented fixing system that always stays tight and takes the guesswork out of installation. The lower portion of the nut shears off when the proper tightness is reached, so you cannot over-tighten.



SEAT FEATURES



STA-TITE® - patented fixing system that will not loosen! Simple, "no mess" installation ensures your seat stays tight on the pan



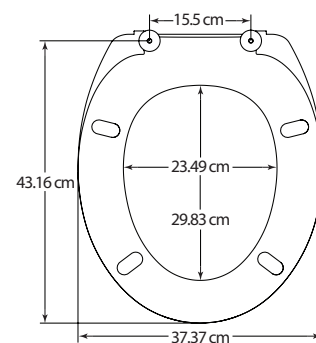
Scratch Resistant - made from hard, Durolux® material that resists scratches



Heat Resistant - High resistance to burns and flames. Meets FAR 25.853 and ABD0031 requirements

- Long-lasting Durolux® thermoset plastic offers a ceramic-like shine
- Fixed stainless steel hook hinges
- Fits majority of manufacturers' universal shaped pans

SEAT DIMENSIONS



No More Loose Seats!

Try STA-TITE[®], the patented Bemis fixing system that will not loosen over time!

“No mess” installation is fast and easy, ensuring your seat stays tight.



STATITE[®]
No More Loose Seats!

Installation is Fast & Easy:

When fitted correctly, the seat will not slip, wobble or shift on the pan. This simple fixing system installs in three basic steps -- no glue required!



Finger Tighten



Tighten with Spanner



Snap to Secure

