

The Tampa STA-TITE® Smart Lift™ is designed for universal pans and features durable, plastic hinges. The environmentally friendly American Innova® seat releases for easy cleaning or replacement. This seat features STA-TITE®: the patented fixing system that always stays tight and takes the guesswork out of installation. The lower portion of the nut shears off when the proper tightness is reached, so you cannot over-tighten.



SEAT FEATURES



STA-TITE® - patented fixing system that will not loosen! Simple, "no mess" installation ensures your seat stays tight on the pan

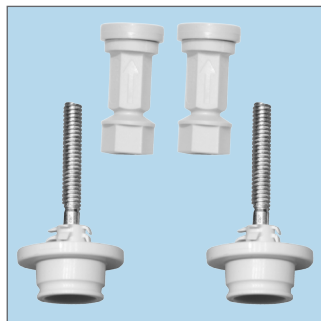


Smart Lift™ For Easy Cleaning - twist hinges to remove seat for easy cleaning and replacement

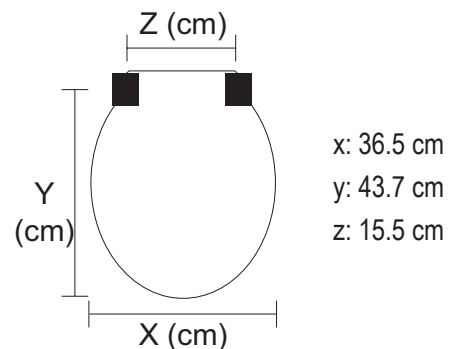


Environmentally Friendly - made with responsibly sourced woods and water-based paints

- Durable American Innova® moulded wood
- Fixed plastic hinges
- Fits majority of manufacturers' universal shaped pans



SEAT DIMENSIONS



No More Loose Seats!

Try STA-TITE[®], the patented Bemis fixing system that will not loosen over time!

“No mess” installation is fast and easy, ensuring your seat stays tight.



STATITE[®]
No More Loose Seats!

Installation is Fast & Easy:

When fitted correctly, the seat will not slip, wobble or shift on the pan. This simple fixing system installs in three basic steps -- no glue required!



Finger Tighten



Tighten with Spanner



Snap to Secure

BEMIS