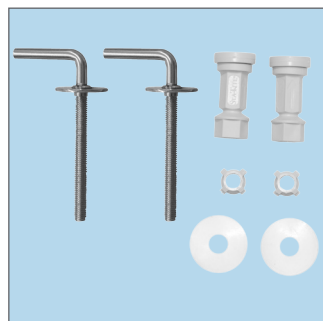


The Ashford STA-TITE® is designed for universal pans and is made from durable Tecnoplast™ thermoplastic material. This seat features durable plastic hinges that adjust to help achieve the perfect fit to your pan. This seat also features STA-TITE®: the patented fixing system that always stays tight and takes the guesswork out of installation. The lower portion of the nut shears off when the proper tightness is reached, so you cannot over-tighten.



SEAT FEATURES



STA-TITE® - patented fixing system that will not loosen! Simple, "no mess" installation ensures your seat stays tight on the pan



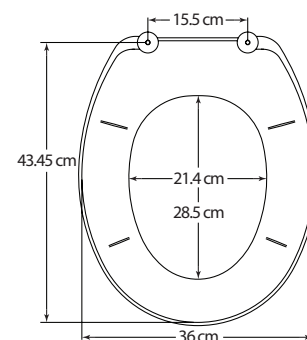
Virtually Unbreakable - made from Tecnoplast™ material that provides superior durability



Recyclable - made from Tecnoplast™ material that is 100% recyclable

- Tecnoplast™ thermoplastic offers superior durability
- Fixed stainless steel hinges
- Fits majority of manufacturers' universal shaped pans

SEAT DIMENSIONS



No More Loose Seats!

Try STA-TITE[®], the patented Bemis fixing system that will not loosen over time!

“No mess” installation is fast and easy, ensuring your seat stays tight.



STATITE[®]
No More Loose Seats!

Installation is Fast & Easy:

When fitted correctly, the seat will not slip, wobble or shift on the pan. This simple fixing system installs in three basic steps -- no glue required!



Finger Tighten



Tighten with Spanner



Snap to Secure

BEMIS.