

The Canyon CL STA-TITE® Silentium® is designed for universal pans. The environmentally friendly American Innova® seat closes softly, preventing slamming and pinched fingers. The chrome-plated hinges provide a stylish accent for your bathroom and adjust to help achieve the perfect fit to your pan. This seat features STA-TITE®: the patented fixing system that always stays tight and takes the guesswork out of installation. The lower portion of the nut shears off when the proper tightness is reached, so you cannot over-tighten.



**SEAT FEATURES**



STA-TITE® - patented fixing system that will not loosen! Simple, "no mess" installation ensures your seat stays tight on the pan

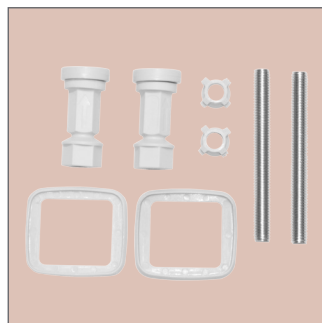
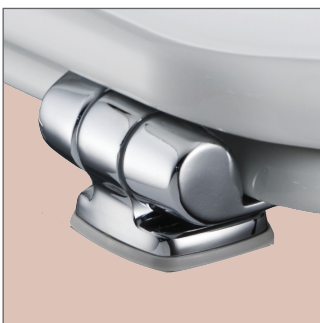


Silentium® - slowly and quietly closes to prevent slamming and pinched fingers



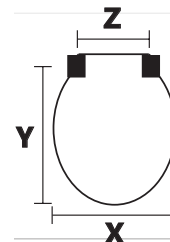
Environmentally Friendly - made with responsibly sourced woods and water-based paints

- Durable American Innova® moulded wood
- Adjustable chrome-plated hinges
- Fits majority of manufacturers' universal shaped pans



**WEIGHTS & DIMENSIONS**

- Individual Seat Weight: 3.00 kg
- 6 seats per master carton



X: 370 mm  
Y: 420 - 440 mm  
Z: 145 - 165 mm

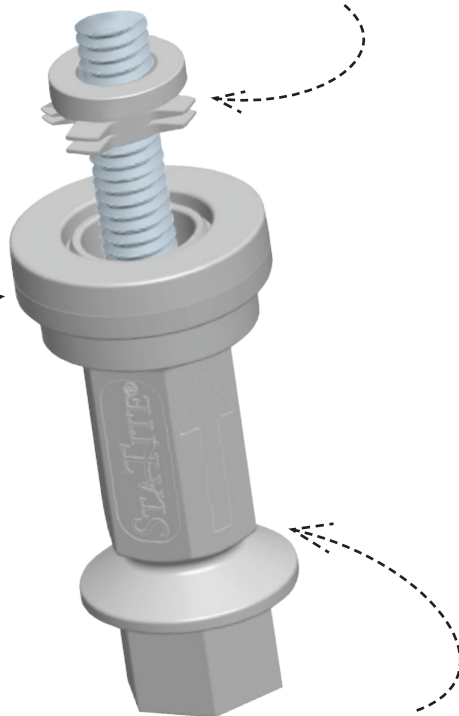
Understanding...

# STA-TITE®



Are you tired of a loose toilet seat?

Unique finned  
bushing prevents  
shifting in toilet  
pan mounting  
holes



Integrated  
washer provides  
superior  
clamping force

Nut shears off at  
precise tightness every  
time to lock down seat!

## Easy:

One-piece integrated nut

## Fast:

No hassle with glue or adhesives

## Secure:

When the nuts shear off, the  
seat stays tight

## Effective:

This tried and tested solution will  
eliminate costly call-backs for  
loose toilet seats

## Installation is Fast & Easy:



1) Finger Tighten



2) Tighten with Spanner



3) Snap to Secure