

The Shannon STA-TITE® is designed for universal pans. Made from Tecnoplast™ thermoplastic material, this heavyweight seat is extremely durable. The chrome-plated hinges provide a stylish accent for your bathroom and adjust to help achieve the perfect fit to your pan. This seat features STA-TITE®: the patented fixing system that always stays tight and takes the guesswork out of installation. The lower portion of the nut shears off when the proper tightness is reached, so you cannot over-tighten.



SEAT FEATURES



STA-TITE® - patented fixing system that will not loosen! Simple, "no mess" installation ensures your seat stays tight on the pan

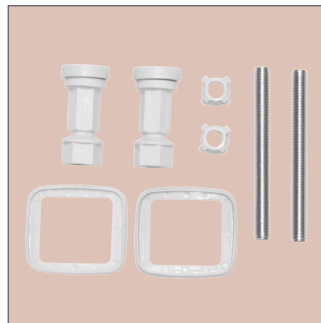


Virtually Unbreakable - made from Tecnoplast™ material that provides superior durability



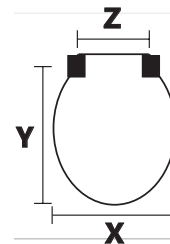
Recyclable - made from Tecnoplast™ material that is 100% recyclable

- Tecnoplast™ thermoplastic offers superior durability
- Adjustable chrome-plated hinges
- Fits majority of manufacturers' universal shaped pans



WEIGHTS & DIMENSIONS

- Individual Seat Weight: 2.85 kg
- 6 seats per master carton



X: 371 mm

Y: 420 - 440 mm

Z: 145 - 165 mm

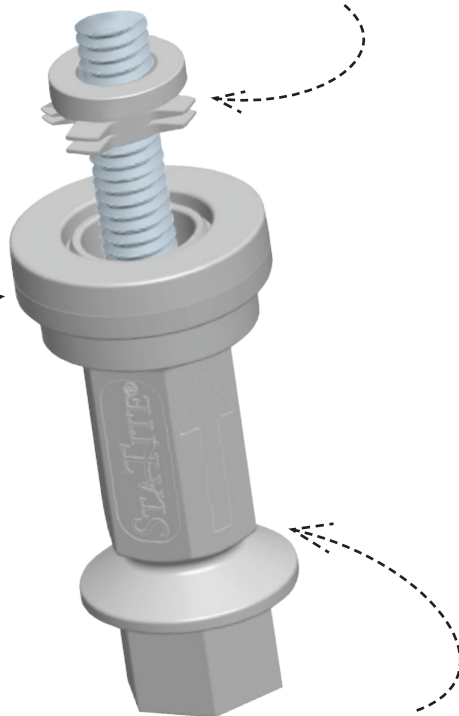
Understanding...

STA-TITE®



Are you tired of a loose toilet seat?

Unique finned
bushing prevents
shifting in toilet
pan mounting
holes



Integrated
washer provides
superior
clamping force

Nut shears off at
precise tightness every
time to lock down seat!

Easy:

One-piece integrated nut

Fast:

No hassle with glue or adhesives

Secure:

When the nuts shear off, the
seat stays tight

Effective:

This tried and tested solution will
eliminate costly call-backs for
loose toilet seats

Installation is Fast & Easy:



1) Finger Tighten



2) Tighten with Spanner



3) Snap to Secure