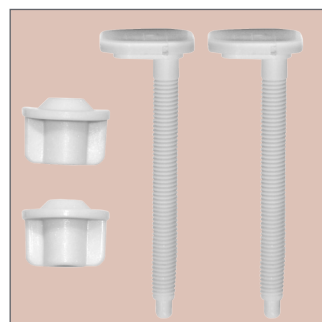
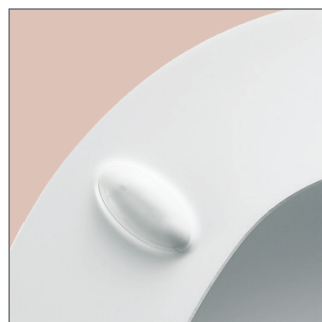


**DESCRIPTION**

The Atlantico is a long-lasting, Durolux® thermoset plastic seat, designed for universal pans in Commercial and Residential applications.



**HARDWARE KIT**

**Standard Plastic Hardware Kit**

- Nuts have a domed top that helps keep them properly centered when tightening
- Bottom tightening

**HINGES**

**Adjustable Plastic Tuck-Under Hinges**

- Adjustable hinges provide a perfect fit by accounting for variances in standard pans
- Stylish tuck-under design minimizes exposure of the hinge
- Made from smooth and easy to clean thermoplastic

**MATERIAL**

**Durolux®**

- Long-lasting, thermoset plastic with a ceramic-like shine
- Will not scratch with standard use

**BUMPERS**

- 4 non-slip bumpers on the ring
- 2 no-slip bumpers on the cover

**APPLICATIONS**

- Commercial Use
- Residential Use

**PACKAGING & WEIGHTS**

**Individual Unit**

- Individual Seat Weight: 2.64 kg

**Individual Packaged Unit**

- Packaging: Corrugate Carton
- Packed Seat Weight: 2.84 kg
- Packaging Dimensions: 490 x 380 x 60 mm

**Master Carton**

- 5 Individual Units
- Weight: 14.74 kg
- Master Carton Dimensions: 390 x 320 x 500 mm

**Pallets**

- Euro Pallet (80 x 120 cm) Quantities: 120
- Standard Pallet (100 x 120 cm) Quantities: 180

**SPECIFICATIONS**

- Style: Closed Front, With Cover
- Size/Shape: Universal
- Material: Durolux®
- Hinges: Adjustable Plastic Tuck-Under
- Hardware Kit: Standard Plastic Hardware Kit
- Bumpers: Ring: 4 Non-Slip / Cover: 2 Non-Slip
- Suggested Uses: Commercial or Residential

**CLEANING**

Use warm, soapy water to clean your seat.

**MADE IN**

This seat is proudly manufactured in Great Britain.

**AVAILABLE COLOURS**

White

**DIMENSIONS**

