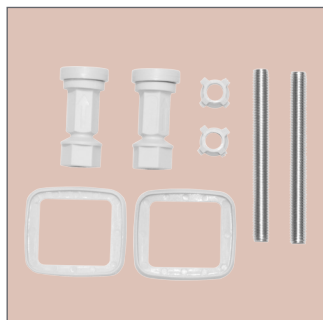
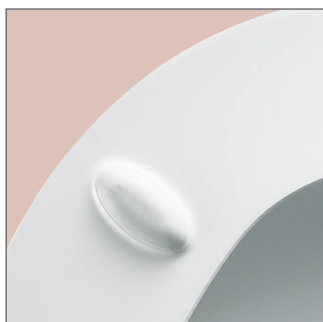


DESCRIPTION

The Atlantico CP is a long-lasting, Durolux® thermoset plastic seat, designed for universal pans in Commercial and Residential applications.

This seat features the STA-TITE® Commercial Fastening System™ with finned, centralising bushings that tightly secure the mounting bolts into the pan holes. The STA-TITE® lower nut is engineered to shear off from the upper nut when the correct installation torque is achieved, always generating the optimal amount of clamping force.



HARDWARE KIT

STA-TITE® Commercial Fastening System™

- Unrivalled seat stability
- During installation, the lower nut will shear from the upper nut when the optimal torque is applied
- No more loose seats, so no more call backs to re-tighten, ever!
- To remove, simply loosen the upper nut with a spanner

HINGES

Adjustable Chrome Tuck-Under Hinges

- "5 Hole" system provides the perfect combination of adjustability and stability
- Stylish tuck-under design minimizes exposure of the hinge

MATERIAL

Durolux®

- Long-lasting, thermoset plastic with a ceramic-like shine
- Will not scratch with standard use

BUMPERS

- 4 non-slip bumpers on the ring
- 2 no-slip bumpers on the cover

APPLICATIONS

- Commercial Use
- Residential Use

PACKAGING & WEIGHTS

Individual Unit

- Individual Seat Weight: 1.89 kg

Individual Packaged Unit

- Packaging: Corrugate Carton
- Packed Seat Weight: 2.12 kg
- Packaging Dimensions: 480 x 380 x 60 mm

Master Carton

- 5 Individual Units
- Weight: 11.24 kg
- Master Carton Dimensions: 390 x 320 x 500 mm

Pallets

- Euro Pallet (80 x 120 cm) Quantities: 120
- Standard Pallet (100 x 120 cm) Quantities: 180

SPECIFICATIONS

- Style: Closed Front, With Cover
- Size/Shape: Universal
- Material: Durolux®
- Hinges: Adjustable Chrome Tuck-Under
- Hardware Kit: Patented STA-TITE® Commercial Fastening System™
- Bumpers: Ring: 4 Non-Slip / Cover: 2 Non-Slip
- Suggested Uses: Commercial or Residential

CLEANING

Use warm, soapy water to clean your seat.

MADE IN

This seat is proudly manufactured in Great Britain.

AVAILABLE COLOURS

White

DIMENSIONS

